



RIPPA GROUP

DUMP TRUCK RD08



PERFORMANCE

A BUCKET

The buckets are thickened and detachable, and different buckets can be replaced according to the environment.

B PROTECTIVE PLATE

The upper side of the cylinder is equipped with a mounting plate and a guard plate to prevent the goods from falling and hitting the cylinder, which will aggravate the wear and damage of the cylinder.

C LIFTING BUCKET

The lifting mechanism is cleverly designed to easily adjust the height of the truck bed to meet the needs of different work scenarios, greatly improving work efficiency.

D TRACK WHEELS

The rollers and guide wheels adopt double bearings and double support retaining rings, and spacers are installed to prevent foreign objects from entering the interior, aggravate wear, and ensure the service life of the wheels.



EASY TO OPERATE AND MAINTAIN

The shroud is semi-wrapped, which effectively isolates heat, and has a more beautiful appearance. The large air vent ensures the intake of the engine and the exhaust of hot air in the cabin.

Use Briggs & Stratton single-cylinder engine 2100, with large torque, high speed, electronic control, and double start by hand.

The high-quality engineering rubber shock absorber is adopted, with good shock absorption effect, and the thickness of the engine bottom plate is up to 10mm.



The walking lever is an operating lever, and a single lever can realize forward, backward, steering and other actions, which is convenient for operation, and has high and low speed functions.

The upper side of the gear pump is equipped with a protective plate to prevent the gear pump and oil pipe from being damaged due to falling cargo. Reduce maintenance times and ensure the stability of power output.

The pedals can be folded and turned upside down, effectively saving space. There are anti-skid holes on the surface, and edge guards are installed around them to prevent slipping and falling accidents during work.

PRODUCT DETAILS



Bucket



The retractable bucket design ensures that items enter the compartment and improves work efficiency

OPERATION TABLE



The operation table is centrally designed with humanized layout, easy to operate and simple to learn.

PROTECTIVE COVER



Installing a protective cover can effectively prevent the engine from overheating and damage the driver

LIFTING BUCKET



The lifting bucket can easily deliver the items in the bucket to a higher place.

ENGINE



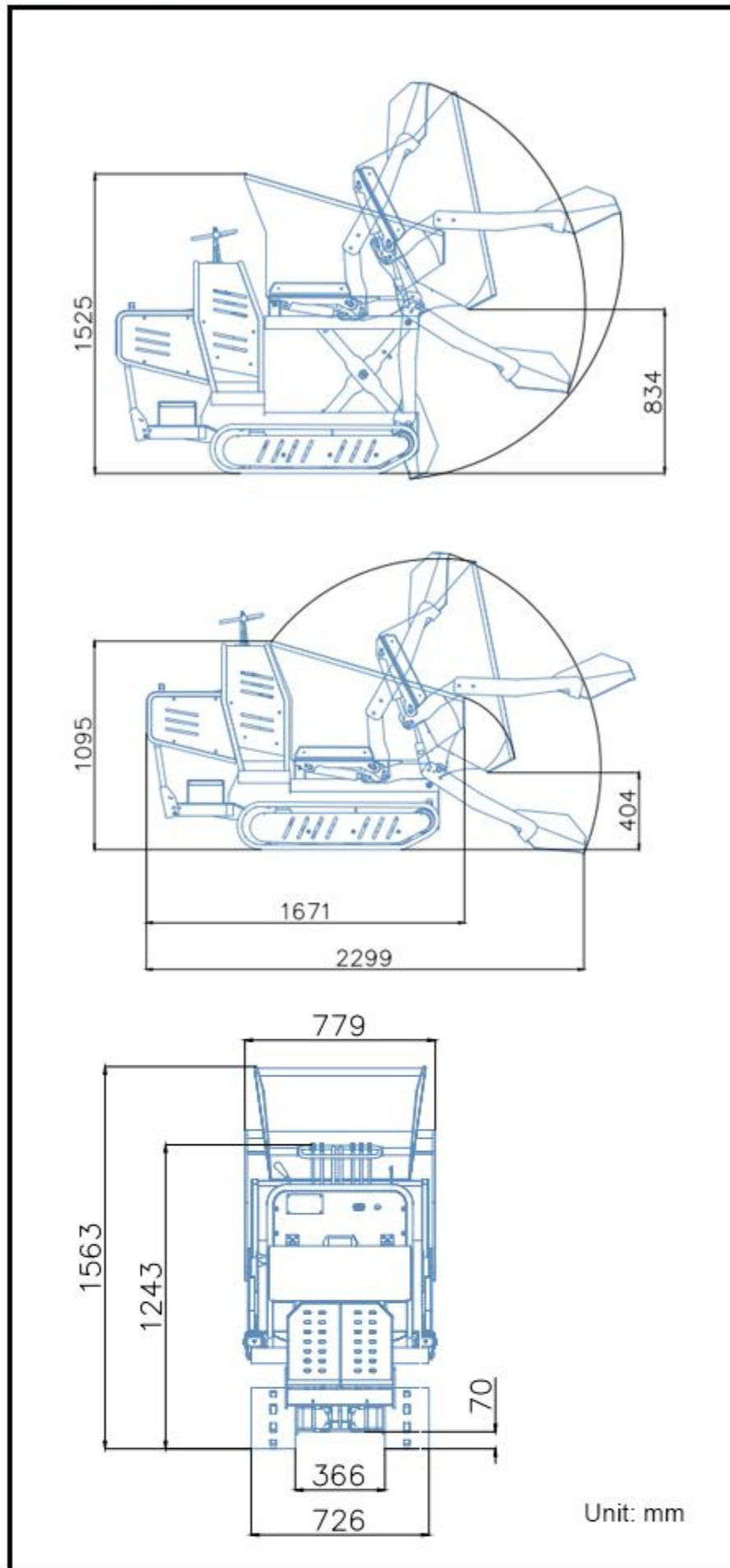
Using the brand engine. it runs smoothly and has strong power

CYLINDER



Adopt reinforced one-time forging cylinder, powerful and durable

■ SCOPE OF WORK



■ SPECIFICATION

	Model	Unit	RD08
Basic parameters	Machine operating weight	lb (kg)	1309 (595)
	Bucket capacity	ft ³ (m ³)	1.06 (0.03)
	Dump capacity	ft ³ (m ³)	9.5 (0.27)
	Rated load mass	lb (kg)	770 (350)
	Travel speed low/high speed	mph (km/h)	0-1.24/0-2.48(0-2/0-4)
	Gradability	%	30%
	Ground pressure	psf (kpa)	469.1 (22.46)
	Maximum unloading height	in (mm)	32.8 (834)
	Maximum unloading distance	in (mm)	16.9 (430)
	Minimum ground clearance	in (mm)	10.7 (272)
	Minimum ground clearance	in (mm)	2.8 (70)
Engine	Engine brand		Briggs & Stratton
	Engine model	(ps)	XR2100
	Maximum horsepower	hp(kw)	13.6
	Maximum power	(rpm)	13.4 (10)
	Maximum speed	gal (L)	3600
	Displacement		0.11 (0.42)
	Number of cylinders		1
	Cooling method	gal (L)	Air-cooled
	Engine oil change amount		0.32 (1.2)
	Fuel form		Gasoline
	Fuel grade		92#
	Theoretical fuel consumption	in (mm)	0.8-1.2
	Body	Transport length	in (mm)
Transport width		in (mm)	30.7 (780)
Transport height		in (mm)	49 (1245)
Bucket width			27.6 (700)

■ HYDRAULIC SYSTEM

Main pump type/model	Gear pump PGP51044SLP	Multi-way valve brand	Tengfei
Main pump brand	Tianjin Walking	Rated set pressure (Mpa)	16MPa
Main pump maximum flow (L/min)	14.4+14.4	Maximum set pressure (Mpa)	18MPa
Multi-way valve - left	Double multi-way valve	Travel hydraulic motor type	Deston BM5-200
Multi-way valve brand	Tengfei	Travel motor brand	Deston
Multi-way valve - right	Triple multi-way valve	Motor displacement	200

- Please read the instruction manual carefully and use the machine correctly.
- Always wear a seat belt when working. (ROPS specifications only)
- If you are operating construction machinery with a machine mass of less than 3 tons, you must take the "Special Training for Vehicle-Mounted Construction Machinery Operation" course beforehand. If the machine mass is 3 tons or more, you must take the "Vehicle-Mounted Construction Machinery Operation Skills Course".
- To prevent breakdowns and accidents, be sure to inspect the machinery regularly.
- Specific voluntary inspections are required to be carried out by an inspection company registered with the Minister of Health, Labor and Welfare or the Director-General of the Labor Standards Inspection Bureau.

WE ARE RIPPA

Shandong Rippa Machinery Group Co., Ltd. is located in the sixth industrial park of Jining High-tech Zone, Shandong Province. It is a state-owned high-tech enterprise with import and export rights.

The company's employees are energetic and enterprising, constantly creating the legend and fame of the rippa!



Shandong Rippa Machinery Group Co., Ltd.

Address: No. 6 Industrial Park, 2166 Chongwen Avenue, Gaoxin District, Jining City, Shandong Province

Some specifications are based on engineering measurements and may differ from actual conditions. Specifications are for comparison purposes only and are subject to change without notice. Specifications of individual RIPPA devices may vary due to normal variations in design, manufacturing, operating conditions and other factors. Some images of RIPPA devices are not limited to standard packages.



www.rippa.com